

MANUAL

MANUAL FILLING HEAD

Flat type	A-System		214-001
Flat type	G-System		214-002
Combi type	M-System		214-003
Well type	S-System	2 lugs	214-004
Well type	S-System	3 lugs	214-005
Well type	D-System		214-006
Well type	U-System		214-007
Soft Drink	LS-System		214-008
Soft Drink	LP-System		214-018
Soft Drink	LC-System		214-028



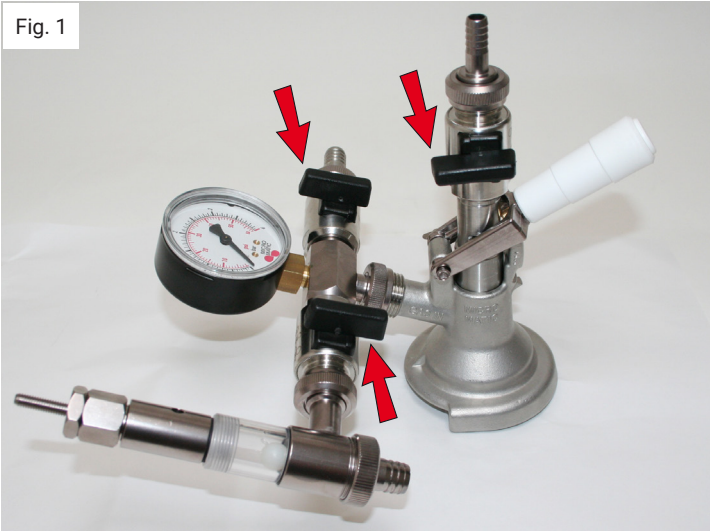
 **MICRO MATIC**

DEDICATED TO
DRAFT QUALITY

MANUAL FILLING HEAD

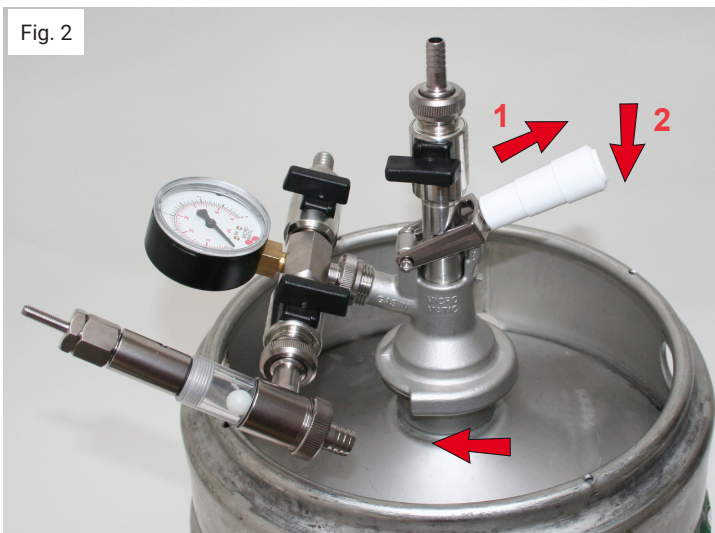
FITTING

Fig. 1



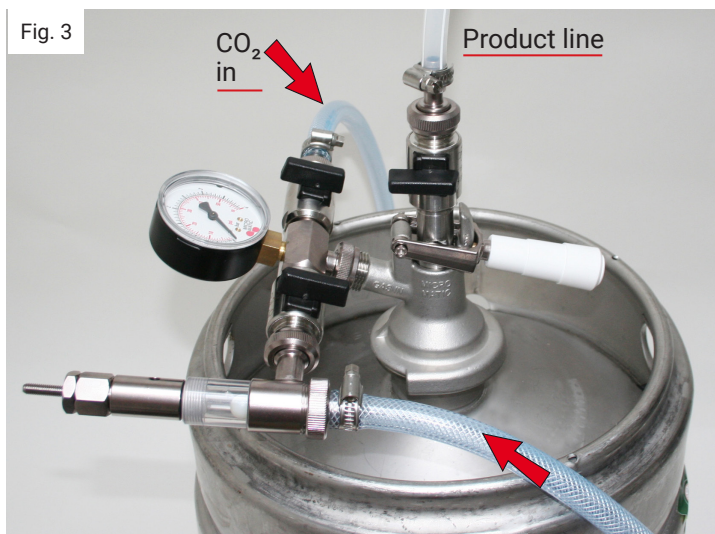
Turn off ball valves I, II and III.

Fig. 2



Connect filling head to keg and pull/press the handle down to activate.

Fig. 3

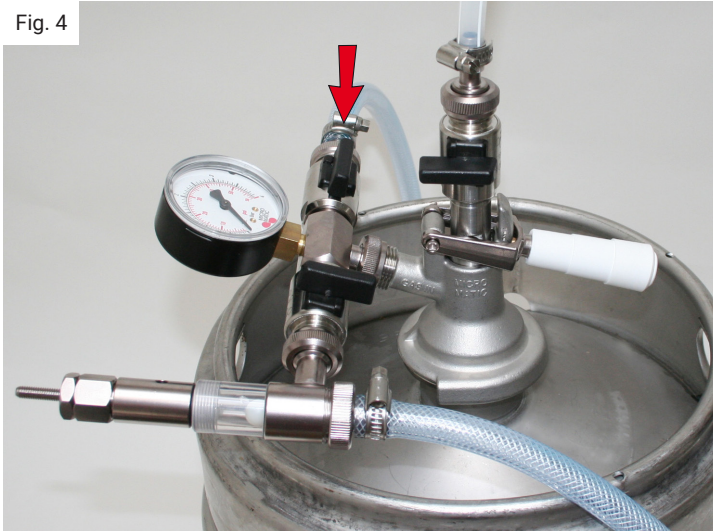


Connect CO₂- and beer- or soft drink lines.

MANUAL FILLING HEAD

FITTING

Fig. 4



Open ball valve I

Fig. 5



When the correct pressure (about 1 bar) shows on pressure gauge close ball valve I.

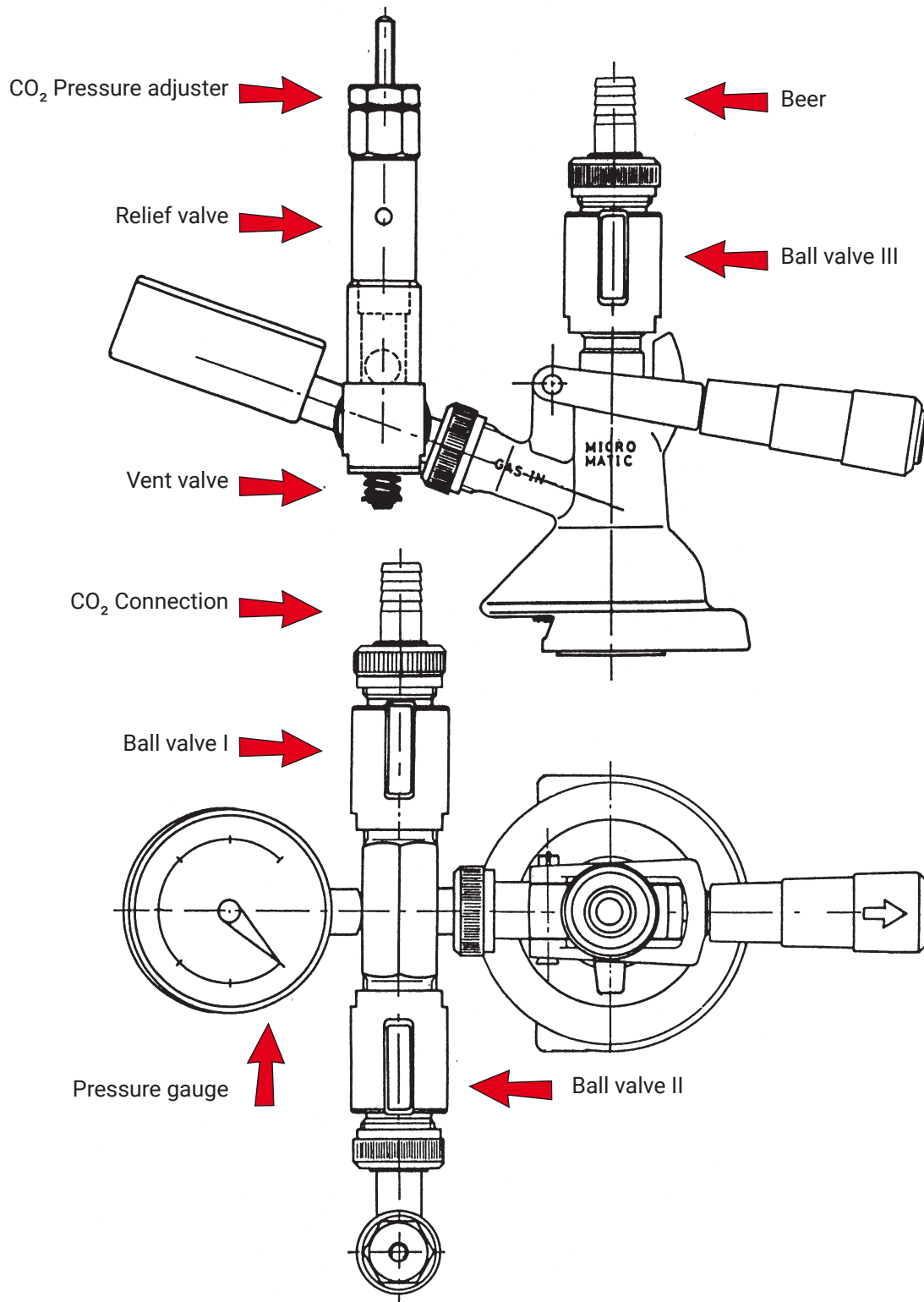
MANUAL FILLING HEAD

COUNTER PRESSURE

The relief valve controls the counter pressure during filling. The counter pressure must be lower than the pump pressure from the beer line.

When the correct counter pressure has been reached, the adjustment spindle must be locked with a nut. When keg filling commences, the spring loaded vent valve must be depressed momentarily to reactivate the ball non-return valve.

Fig. 6



MANUAL FILLING HEAD

FILLING

Fig. 5



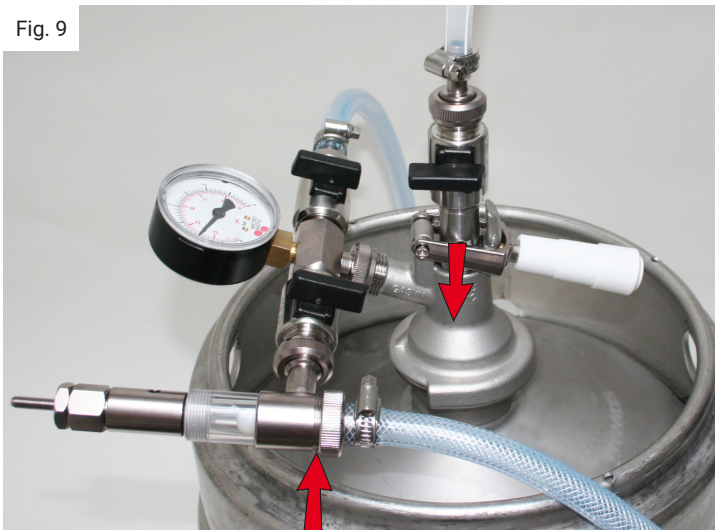
Open ball valve III (beer supply). Pump pressure in the beer line must be approx. 2.5 bar.

Fig. 8



Open ball valve II (CO₂ line). CO₂ vents until non-return valve closes. Keg is now full.

Fig. 9



Turn off ball valves II and III.

Cleaning:
Separate filling head. Clean all parts.

